

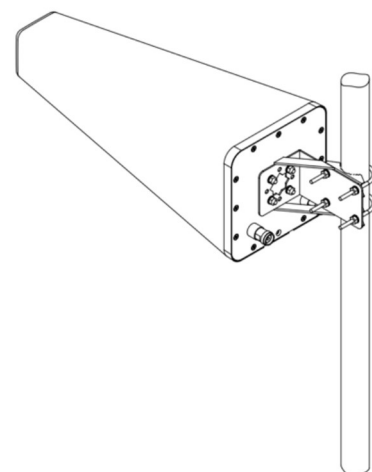
# 72412022

## Log Periodic Antenna 617-960 / 1425-2700 / 3300-4200

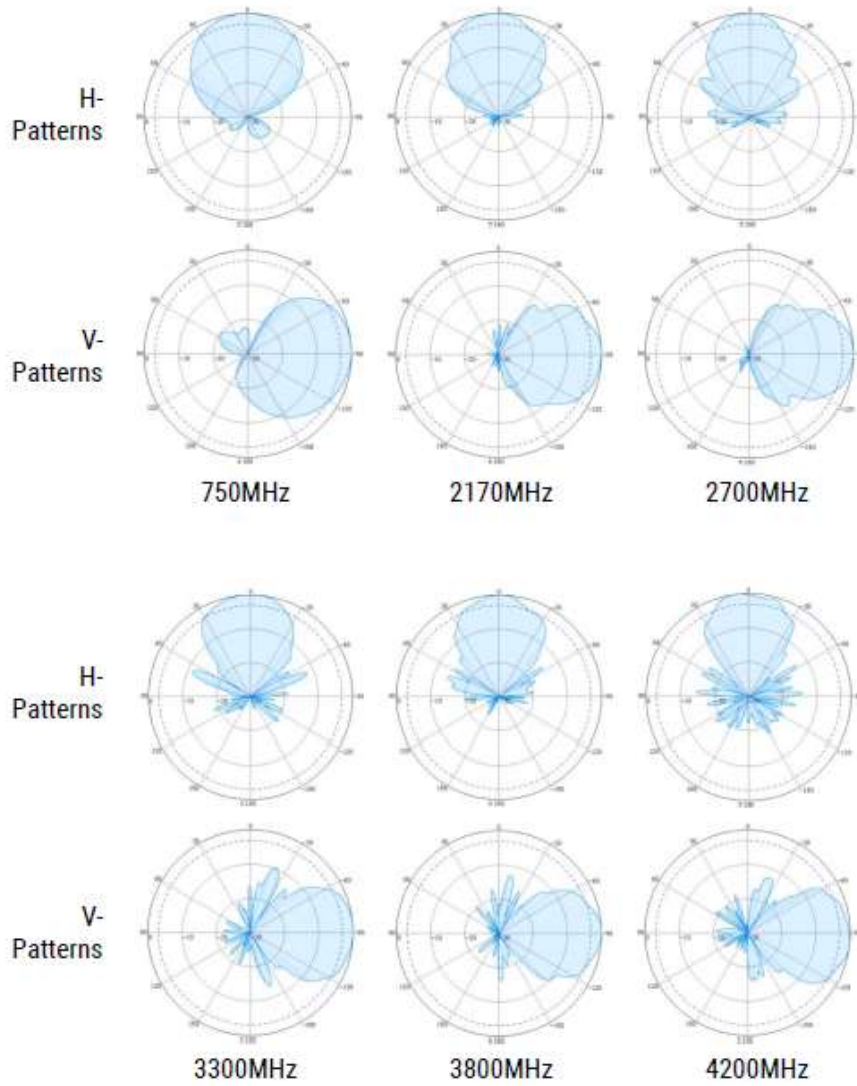
X-Pol 2-port  
10/12/12dBi  
617-4200MHz

Preliminary

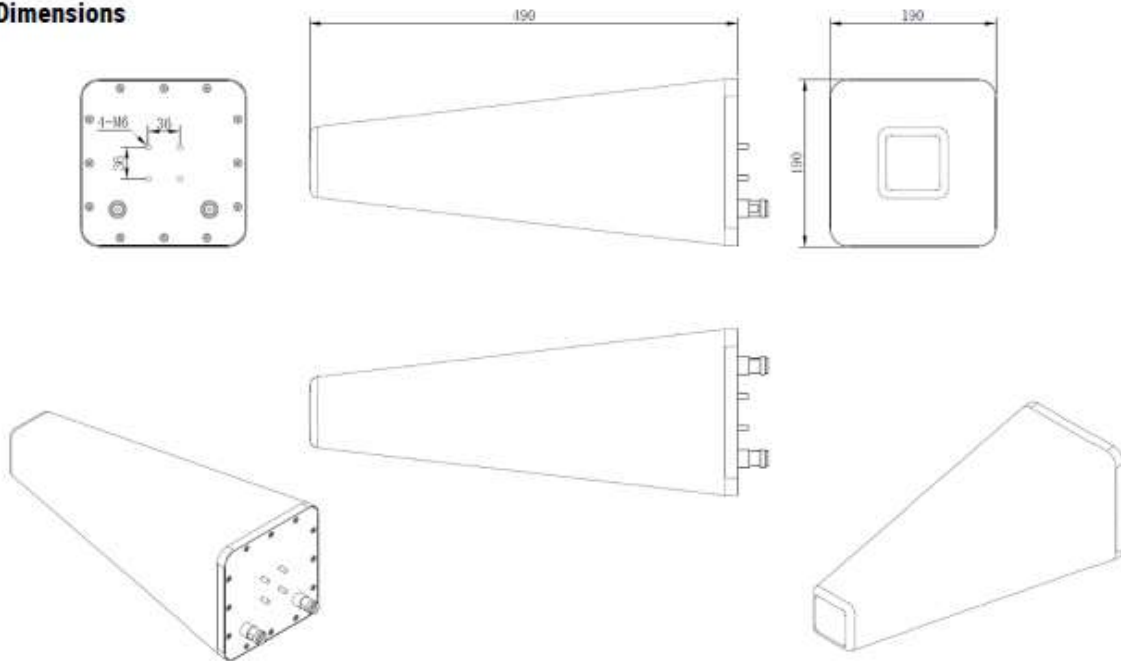
Type	72412022				
Frequency Range (MHz)	617-698	698-960	1425-1710	1710-2700	3300-4200
Gain (dBi, typ.)	9.2	9.7	12.1	12.0	12.1
VSWR	≤ 2.5	≤ 2.0	≤ 2.0	≤ 1.8	≤ 1.9
Polarization	± 45°				
PIM3 (dBc), @2x43dBm	≤ -153				
Horizontal Beamwidth (°)	68	66	48	48	48
Vertical Beamwidth (°)	64	66	49	49	50
Isolation (dB)	≥ 18	≥ 20	≥ 20	≥ 22	≥ 22
Front-to-Back Ratio (dB)	11-21	31-39	27-30	21-33	12-28
Input Impedance (Ω)	50				
Max. Input Power (W)	200				
Lightning Protection	DC Grounded				
Connector Type	2x 4.3-10 Female				
Dimension (mm)	190 x 190 x 490				
Weight (kgs)	1.3 (Antenna) / 0.6 (L-Bracket)				
Rated Wind Velocity (km/h)	200				
Reflector Material	Aluminium				
Radome Material	UV-ABS (White, RAL 9003)				
Ingress Protection	IP65				
Operating Temperature (°C)	-40 to +65				
Mounting	L-Bracket for pole mount Ø38-Ø52mm included				
Optional Accessories (Order Separately)	Universal Adjustable Mounting Bracket <b>70010015v01</b> for wall-mount and pole mount (Ø38-Ø52mm)				
Wind Load (N)(@150km/h Wind Speed)	Frontal: 45.74 Lateral: 99.21 Rearside: 53.36				



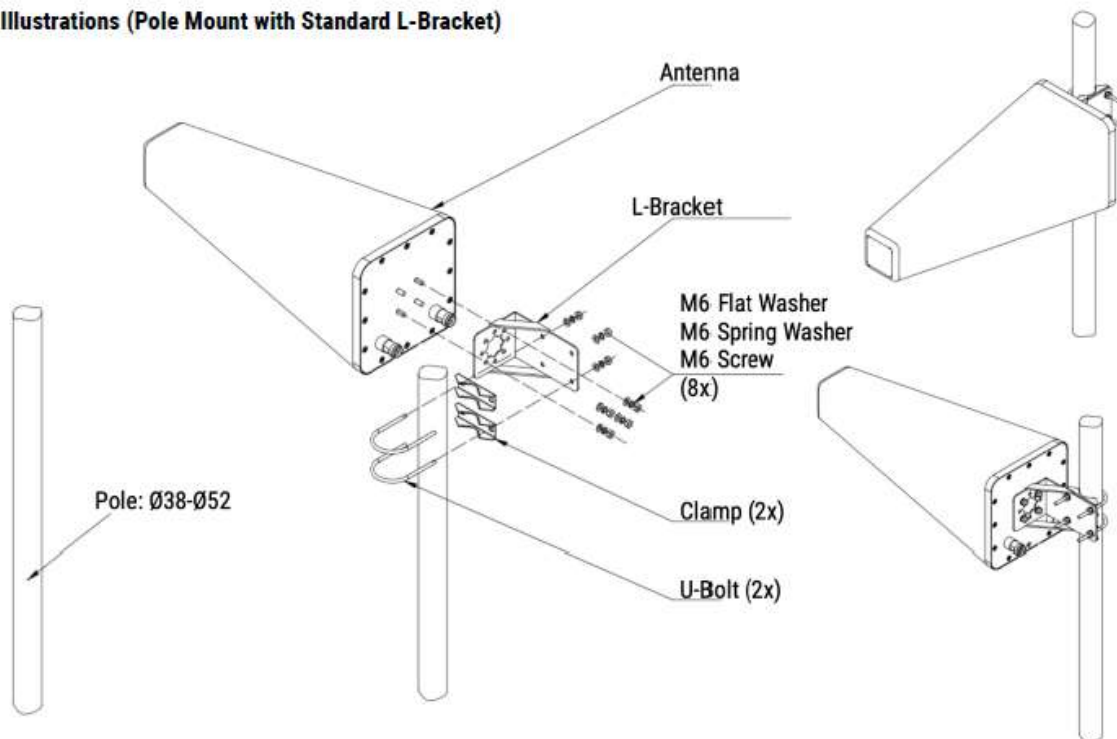
### Typical Radiation Patterns



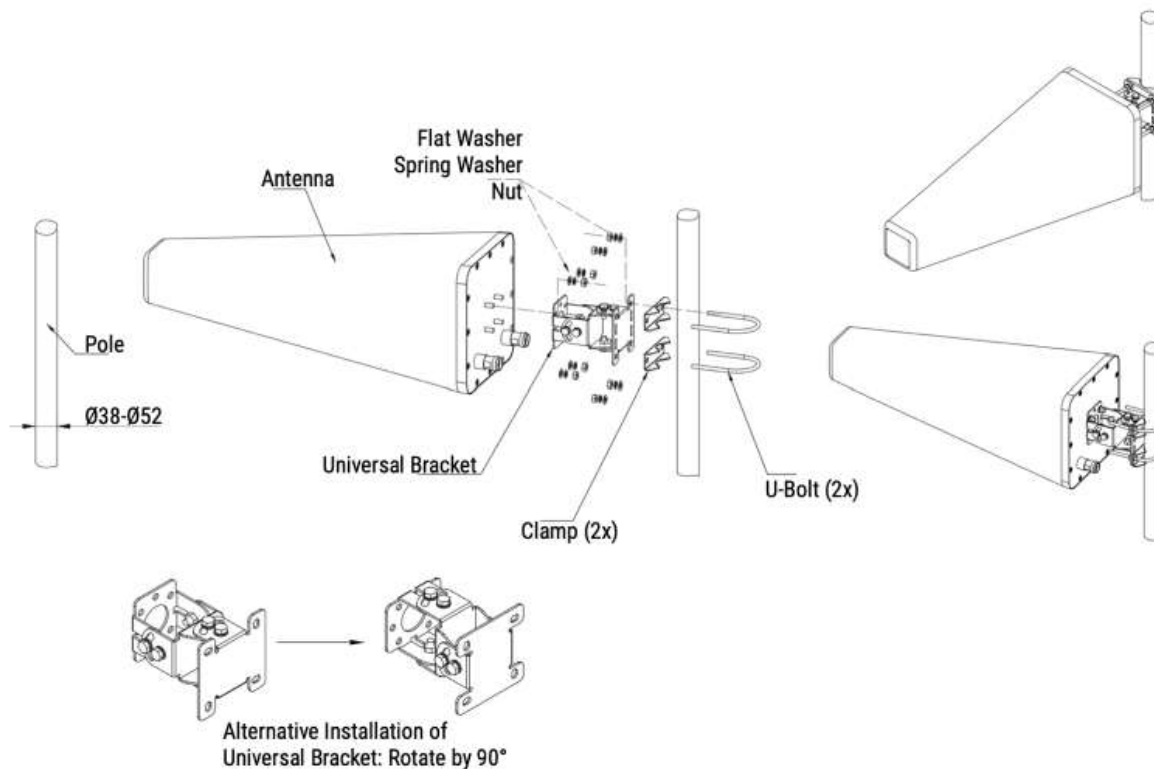
### Mechanical Dimensions



### Installation Illustrations (Pole Mount with Standard L-Bracket)



**Installation Illustrations (Pole Mount with Optional Universal Bracket)**  
 (Bracket to be ordered separately)



**Installation Illustrations (Wall Mount with Optional Universal Bracket)**  
 (Bracket to be ordered separately)

