

72412009

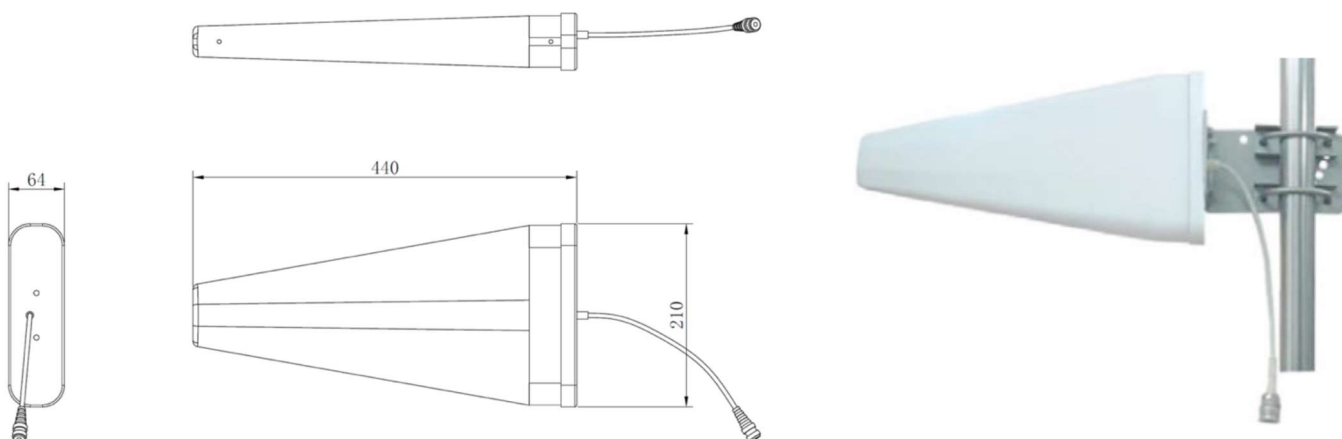
Log Periodic Antenna 698-960 / 1710-2700 / 3300-4200

V-Pol 1-port 9/11dBi
698-4200MHz

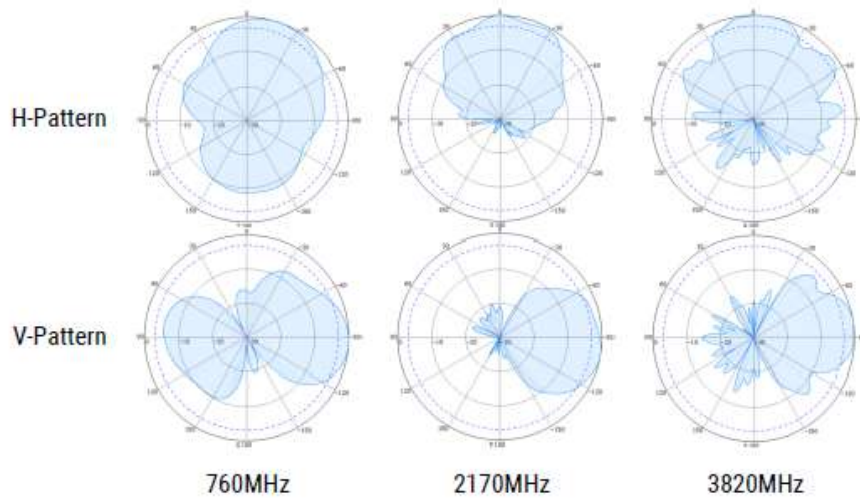
Preliminary

Type	72412009		
Frequency Range (MHz)	698-960	1710-2700	3300-4200
Gain (dBi, typ.)	9.3	10.5	9.4
VSWR	≤ 1.8	≤ 1.6	≤ 1.8
Polarization	Vertical		
PIM3 (dBc), @2x43dBm	≤ -153		
Horizontal Beamwidth (°)	90	75	54
Vertical Beamwidth (°)	66	58	42
Front-to-Back Ratio (dB)	≤ 15	≤ 15	≤ 15
Input Impedance (Ω)	50		
Max. Input Power (W)	150		
Lightning Protection	DC Grounded		
Connector Type	4.3-10 Female		
Dimension (mm)	440 x 210 x 64		
Weight (kgs)	0.5 (without bracket)		
Max Wind Velocity (km/h)	200		
Reflector Material	Aluminium		
Radome Material	ABS (UV Stabilized, White RAL 9003)		
Operating Temperature (°C)	-40 to +65		
Mounting	U-Clamps for pole size Ø38-Ø52mm included		

Values stated according to NGMN BASTA standard



Typical Radiation Patterns



Installation Illustration

