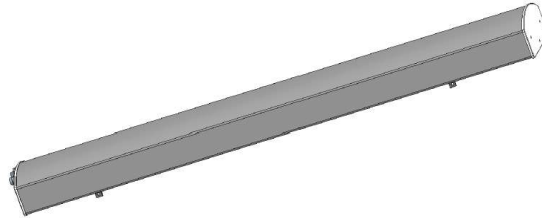


80011506

**Features & Applications**

- 2-Ports 1L Antenna, 1x380-500MHz
- 90° 13dBi 2.05m
- E-Tilt: 0°



Electrical Specifications		
Frequency Range (MHz)	380-450	450-500
Polarization	±45°	
Electrical Downtilt (°)	0, Fixed	
Gain (dBi)	12.5	13
Horizontal Power Beam Width (°)	85±8	83±8
Vertical Power Beam Width (°)	19±2	17±2
Front-to-Back Ratio (dB)	≥23	
Port-Port Isolation(dB)	≥26	
Cross-Polar Discrimination (dB)	≥30	
Impedance (Ω)	50	
VSWR	<1.5	
Intermodulation IM3 (2×43dBm carrier)	≤ -153dBc	
Maximum Power (W)	2 x 400	
Peak Instantaneous Power (KW)	25	
Ground Protection	DC GROUND	

Values based on NGMN recommendations on Base Station Antenna Standards\_v11.1 (BASTA\_v11.1)

80011506

Mechanical Specifications	
Connector	2 x 7/16DIN Female
Connector Position	Bottom
Antenna dimensions (H x W x D) (mm)	2050x450x145
Packing dimensions (H x W x D) (mm)	2310x510x265
Antenna weight (kg)	22.6/27.5 (clamps incl.)
Radome material	Fiberglass
Radome color	Gray
Operational temperature (°C)	-40 to +75
Wind Load@150km/h Frontal /Lateral/Rear side (N)	826/163/1052
Max. operational wind speed (km/h)	200
Diameter of installation pole	50 ~115 mm
Mechanical Tilt (°)	0-10
Mounting kit	Included

Layout and Pattern

Connector Position :



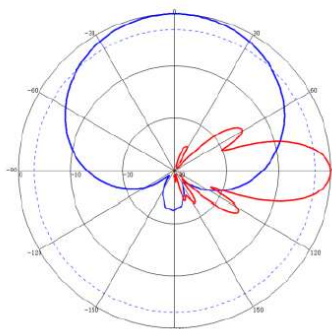
Configuration Types:



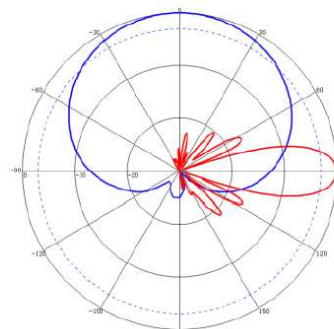
R1 : 380-500MHz

Pattern sample for reference :

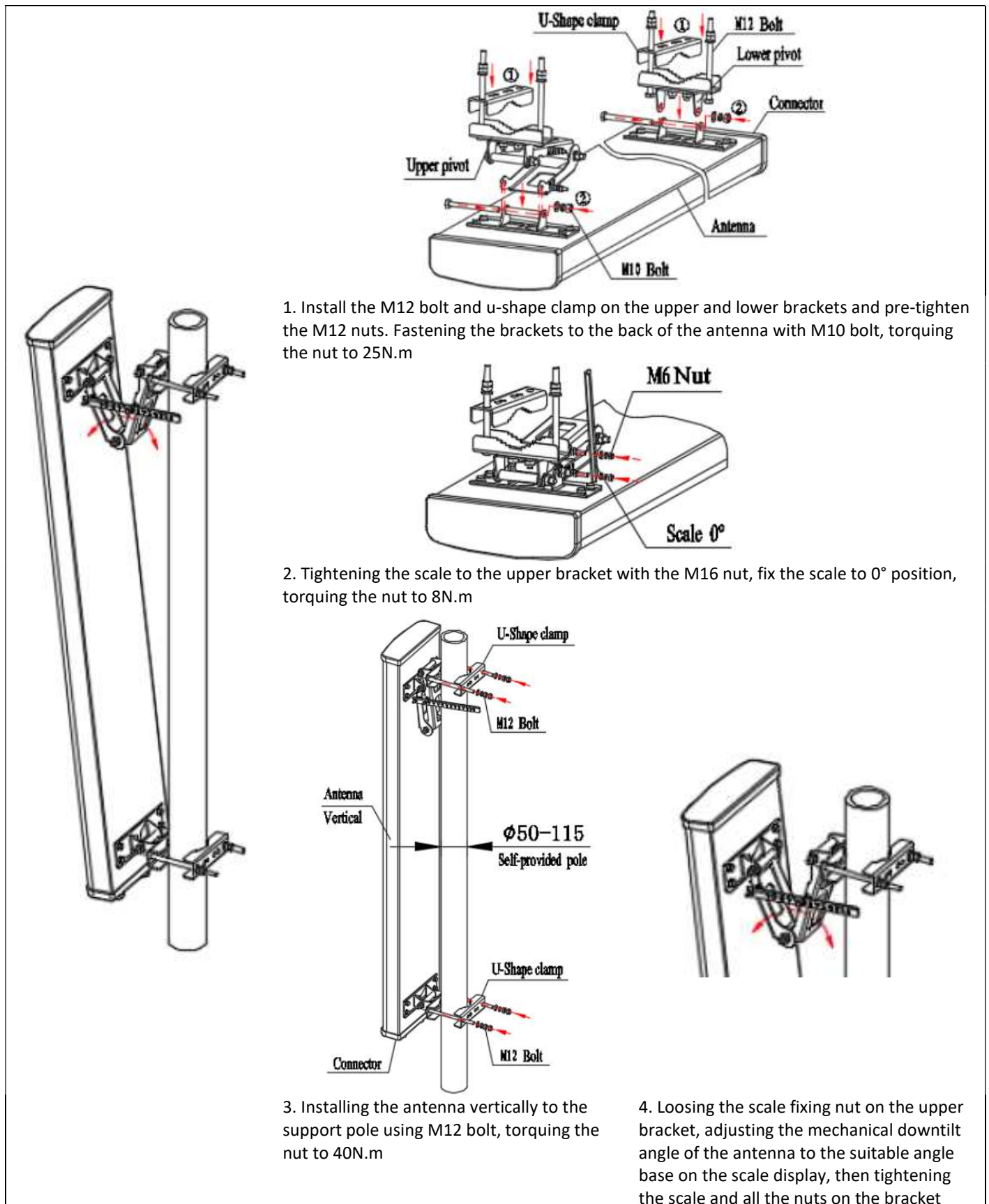
380-450 MHz: ±45° Pol.



450-500 MHz: ±45° Pol.



Installation diagram



**Note:** The picture is for reference only, the specific subject to prevail in kind.