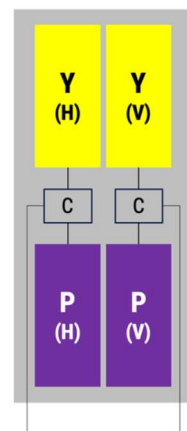
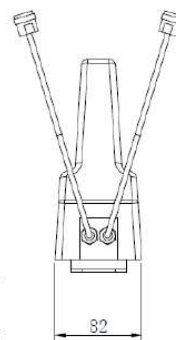
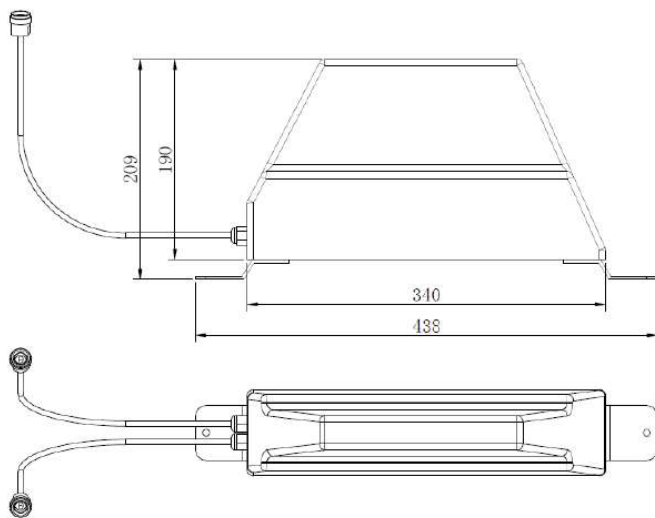


# 80020452

## VH-Pol Bi-Directional 1695-4200MHz

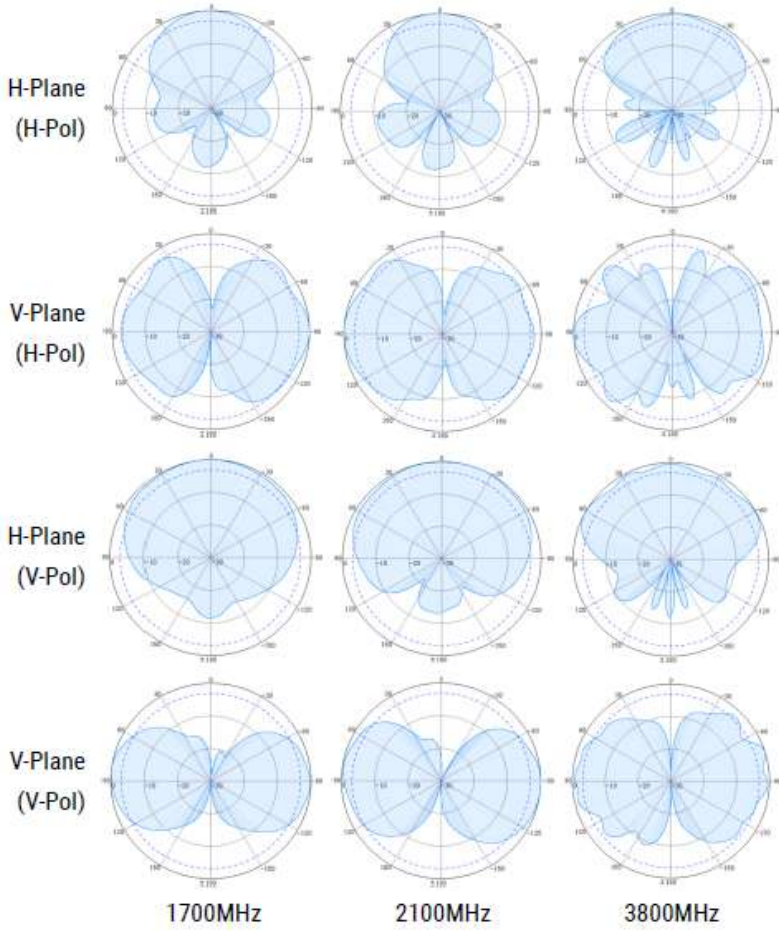
Outdoor Panel Antenna  
2-port 5/6dBi -153dBc

| Type                       | 80020452                                 |                                  |
|----------------------------|--|----------------------------------|
| Frequency (MHz)            | 1695-2700                                | 3300-4200                        |
| Gain (dBi)                 | 5.5 ± 0.5                                | 6 ± 0.5                          |
| VSWR                       | ≤1.8                                     | ≤2.0                             |
| Polarization               | Vertical / Horizontal                    |                                  |
| PIM3 (dBc, @2x43dBm)       | ≤ -153                                   |                                  |
| Horizontal Beamwidth (°)   | 120                                      | 108                              |
| Vertical Beamwidth (°)     | 51                                       | 52                               |
| Isolation (dB)             | 24                                       | 3300-3800 (24)<br>3800-4200 (20) |
| Input Impedance (ohm)      | 50                                       |                                  |
| Max. Input Power (W)       | 100                                      |                                  |
| Lightning Protection       | DC Grounded                              |                                  |
| Connector (at the bottom)  | 2 x 4.3-10 Female                        |                                  |
| Dimension (mm)             | 340 x 190 x 82                           |                                  |
| Weight (kgs)               | Approx. 0.9                              |                                  |
| Radome Material            | ASA + PC (White, RAL 9003)               |                                  |
| Operating Temperature (°C) | -40 to +65                               |                                  |
| Mounting                   | Wall Mount with 2 x M6*60 Expansion Bolt |                                  |



**Port 1 H-Pol** 1695-2700 / 3300-4200  
**Port 2 V-Pol** 1695-2700 / 3300-4200

**Typical Radiation Patterns**



**Installation / Mounting Dimensions**

