

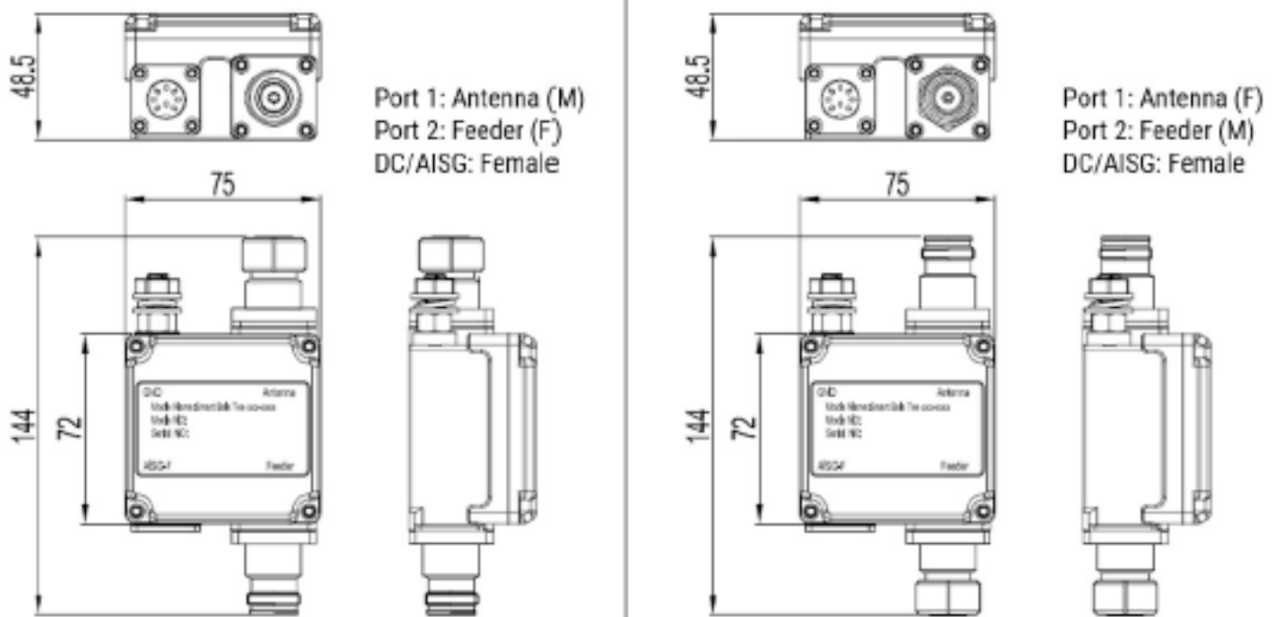
7831159x

Smart Bias Tee PIM -160dBc 340-3800

Smart Bias Tee
PIM -160dBc
340-3800MHz

Type	78311593 Antenna-feeder	78311592 Antenna-feeder
Frequency (MHz)	340-3800	
Connector Port 1 (RF)	4.3-10 Male	4.3-10 Female
Connector Port 2 (RF)	4.3-10 Female	4.3-10 Male
Connector DC/AISG	RS485 Female	RS485 Female
PIM3 (dBc, @2x43dBm)	≤ -160	
VSWR	≤1.25	
Input Impedance (ohm)	50	
Insertion Loss (dB)	≤ 0.3	
DC Isolation (dB)		
Port 1 -Port 2	>60	
Port 1 – DC/AISG	>60	
Port 2 – DC/AISG	0	
Dimension (mm)*	75 x 72 x 48.5	
Weight (kgs)	0.63	
Ingress Protection Class	IP67	
Operational RH (%)	≤ 95	
Power consumption (W)	0.6 (typical)	
Power Handling		
Port 1 – Port 2	500W (average) / 1500W (peak)	
DC/AISG	2.5A max. / +10 to +30Vdc	
Operating Temperature (°C)	-30 to +60	
Storage Temperature (°C)	-40 to +85	
Lightning Protection	3kA@10/350µs	
EMC Compliance	Comply with ETS 300 342-3	
MTBF (Hours)	> 1.000.000	
AISG Standard	Comply with 3GPP TS 25.461	

Dimensions



Antenna - Feeder