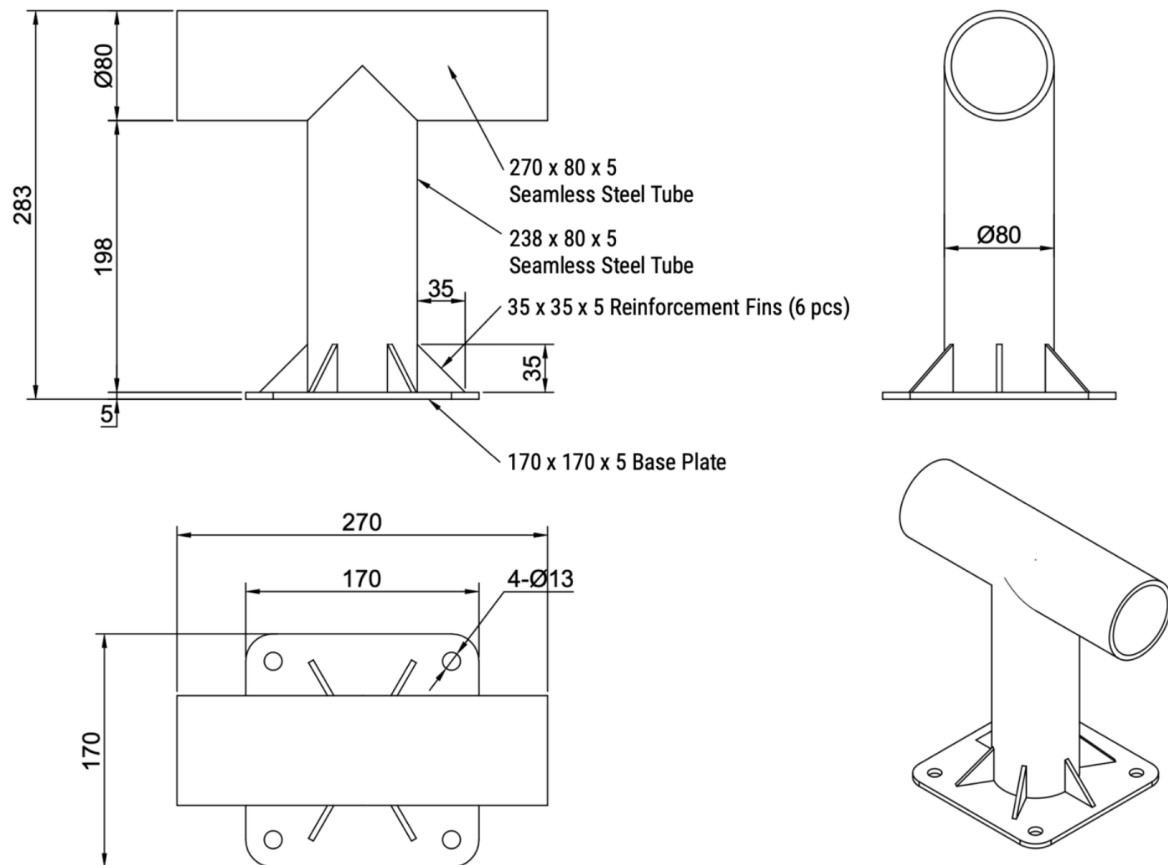


# 70010023

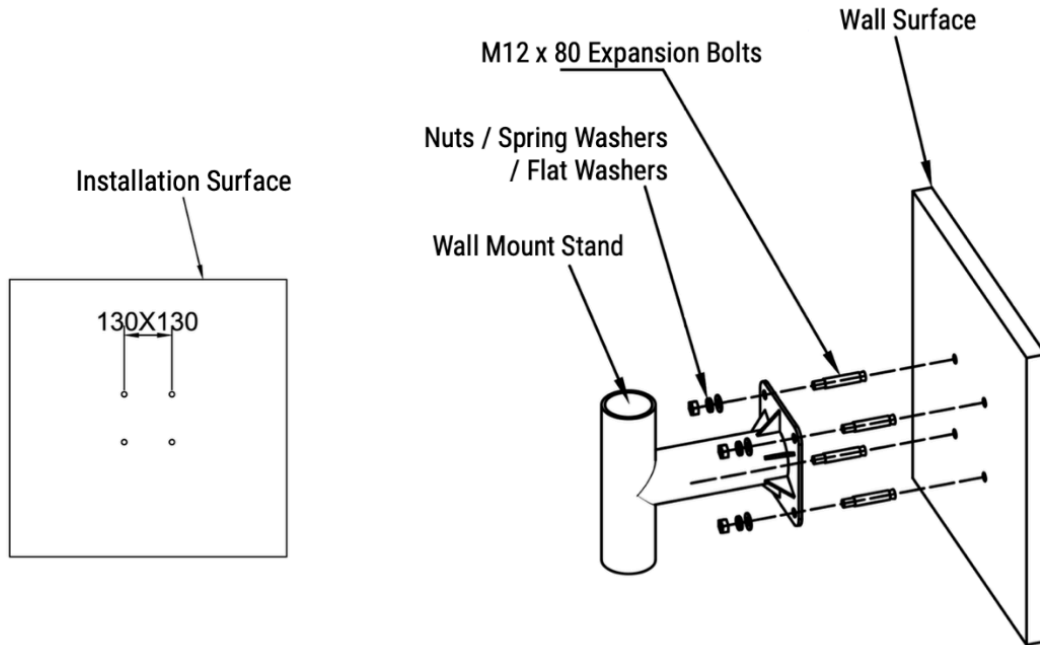
For Tri-Sector / Quasi Omni Antenna  
(Ø280 x 450)

## Wall Mount Stand

Type	70010023
Application	WallMountStandforwall-mountapplicationof quasi-omni / tri-sector / dual sector antennas Ø Antennasize:Ø280x450mm
Material	Hot dip galvanized steel
Size (reference only)	80 x 283 x 270mm
Accessories	4 sets of M12 x 80 Expansion Bolt, Nut and Washers (in 304 Stainless Steel)



### Installation Illustration



### Assembly of Antenna and Wall Mount Stand (Antenna Shown is Optional Item and Not Included in the Stand)

