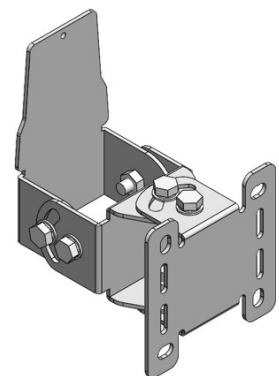
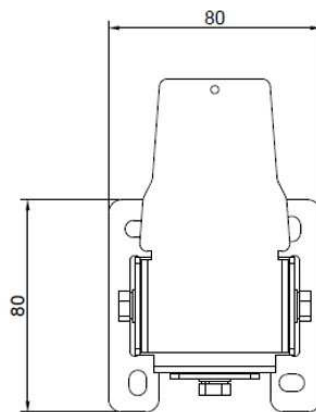
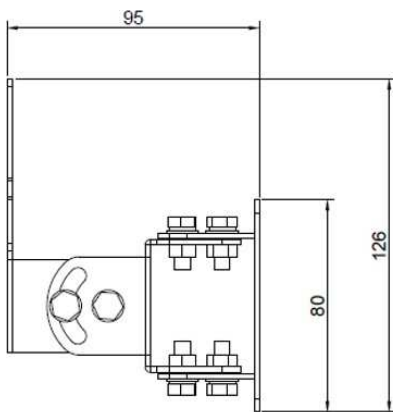


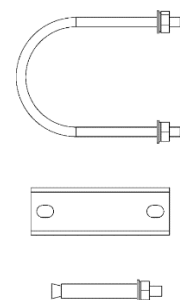
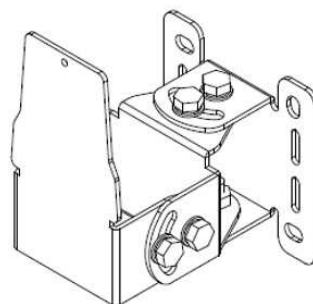
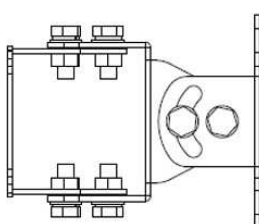
70010015v01

Universal Mounting Bracket
 For 1-port / 2-port / 4-port
 Small Panel Antenna
 Horizontal and Vertical Adjustments

Type	70010015v01
Application	For mounting 1-port, 2-port, or 4-port small panel antennas Suitable for wall mount and pole mount
Material	2.0mm Stainless Steel
Tilt Adjustment	Up to 45° (Both horizontal and vertical, depending on antenna size.)
Mounting (Included in the Packing)	Wall mount: secure the bracket with expansion bolts supplied. Pole mount: attach the bracket to the pole with the U-clamps supplied. Insert the antenna on the flap of the bracket and secure M3 screw on the flap. Adjustment to desire horizontal / vertical angle.
Size (reference only)	126 x 80 x 95mm
Accessories Included	M6 x 60mm Expansion Bolts x 4 (Wall Mount) U-Clamps x 2 (Pole Size: Ø38-52mm) M3 x 6mm Allen Screw x 1



Universal Bracket 70010015V0:



Accessories included