

# 74212010v01

## Log Periodic Antenna 690-4000 12/14dBi

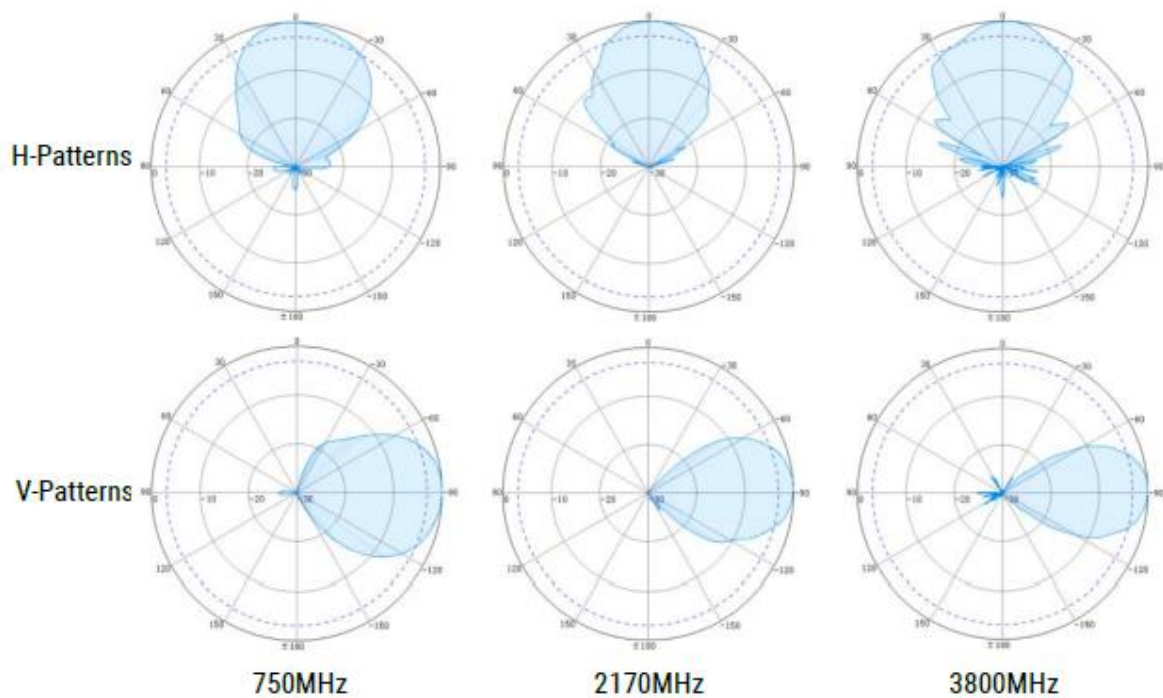
Log Periodic Antenna  
V-Pol 1-port 12/14dBi  
690-4000

Type	74212010v01				
Frequency Range (MHz)	690-806	806-960	1425-2170	2170-2700	3300-4000
Gain (dBi, typ.)	11.5	12.5	13.5	13.5	13.5
VSWR	≤ 1.5	≤ 1.5	≤ 1.5	≤ 1.5	≤ 1.5
Polarization	Vertical				
PIM3 (dBc), @2x43dBm	≤ -150				
Horizontal Beamwidth (°)	56	54	45	41	40
Vertical Beamwidth (°)	47	45	37	35	32
Front-to-Back Ratio (dB)	≥ 25	≥ 25	≥ 25	≥ 25	≥ 23
Input Impedance (Ω)	50				
Max. Input Power (W)	250				
Lightning Protection	DC Grounded				
Connector Type	1 x 4.3-10 Female				
Dimension (mm)	250 x 200 x 1060				
Weight (kgs)	3.5				
Reflector Material	Copper				
Radome Material	Fiber Glass				
Rated Wind Velocity (km/h)	200				
Operating Temperature (°C)	-40 to +65				
Mounting	4 x M12 Threaded Rods (L=162mm) with Washers and Nuts 2 sets of brackets included for pole size Ø38-Ø70mm All mounting materials and accessories in <b>316 stainless steel</b>				
Wind Load (N) (@150km/h Wind Speed)	Frontal: 33.49   Lateral: 159.74   Rearside: 58.6				

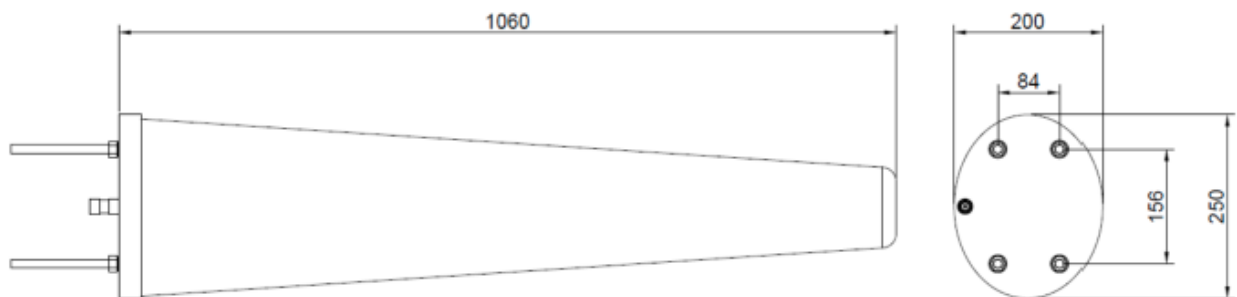


Complaint to Environmental Standards	Dry Heat	GB/T 2423.2	(IEC 60068-2-2)
	Cold	GB/T 2423.1	(IEC 60068-2-1)
	Damp Heat	GB/T 2423.3	(IEC 60068-2-78)
	Change of Temperature	GB/T 2423.22	(IEC 60068-2-14)
	Salt Mist	GB/T 2423.17	(IEC 60068-2-11)
		GB/T 10125	(ISO 9227)
	Ingress Protection	GB/T 4208	(IEC 60529)
	Vibration	GB/T 2423.10	(IEC 60068-2-64)
	Drop Test	GB/T 2423.8 & 4857.5	(ISO 2248)

**Typical Radiation Patterns**



**Mechanical Drawing**



Mounting thread rod Illustration

