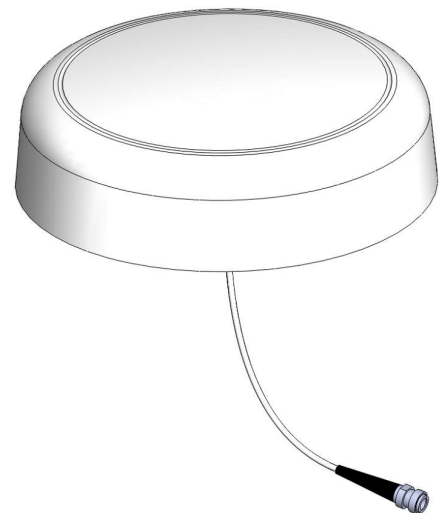
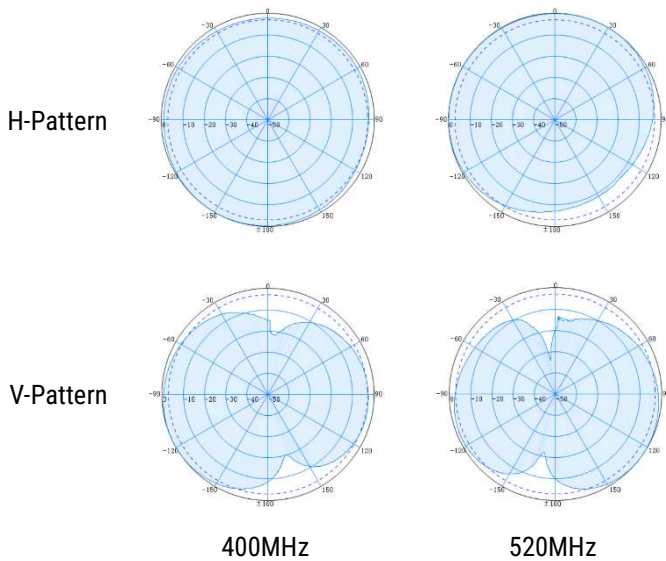


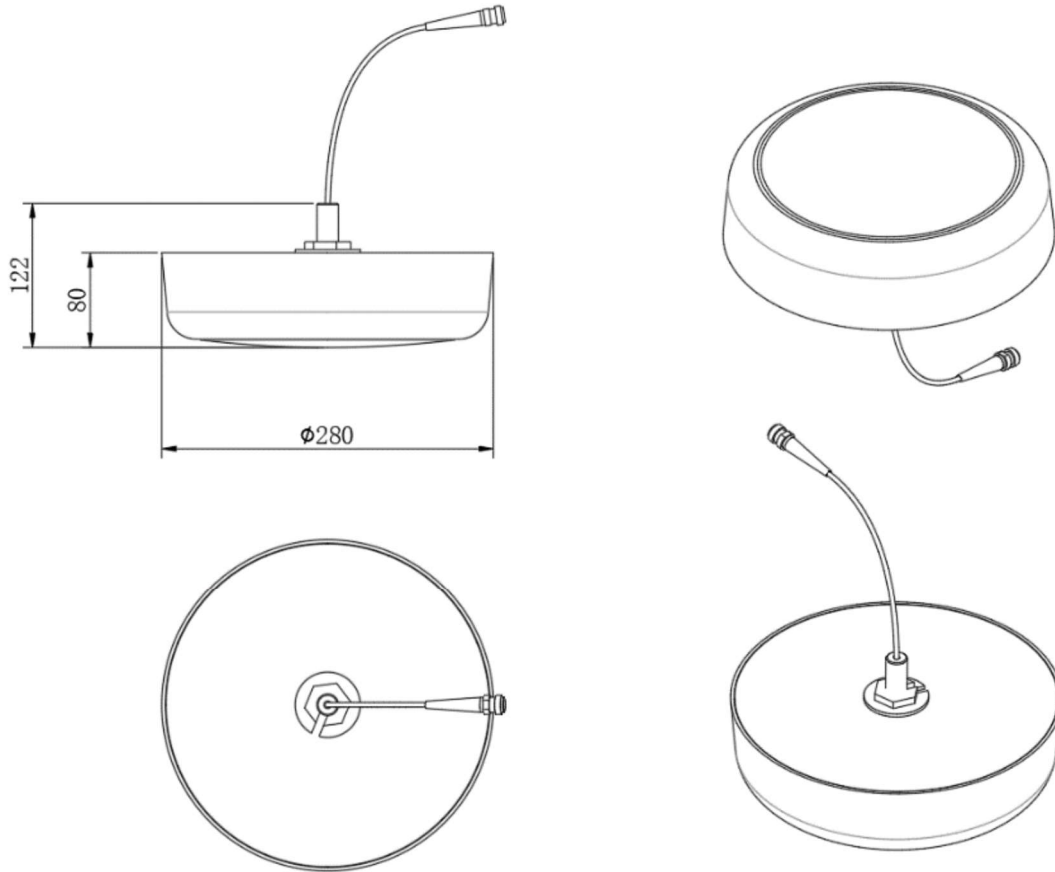
78721390

Indoor omnidirectional 380-520MHz

Indoor omnidirectional antenna
(Slim) V-POL 1-Port omnidirectional
380-520MHz

Type	78721390
Frequency (MHz)	380-520
Gain (dBi)	3
VSWR	≤ 1.8
Polarization	Vertical
Horizontal Beamwidth (°)	360
Vertical Beamwidth (°)	98
Input Impedance (ohm)	50
Max. Input Power (W)	50
Lightning Protection	DC Grounded
Connector	1 x N Female
Dimension (mm)	Ø280 x 80
Weight (kgs)	Approx. 0.68
Reflector Material	Aluminum
Radome Material	Fiberglass
Operating Temperature (°C)	-40 to +65





Mechanical Dimensions

