

74212012v01

Log Periodic Antenna 690-4000 11dBi

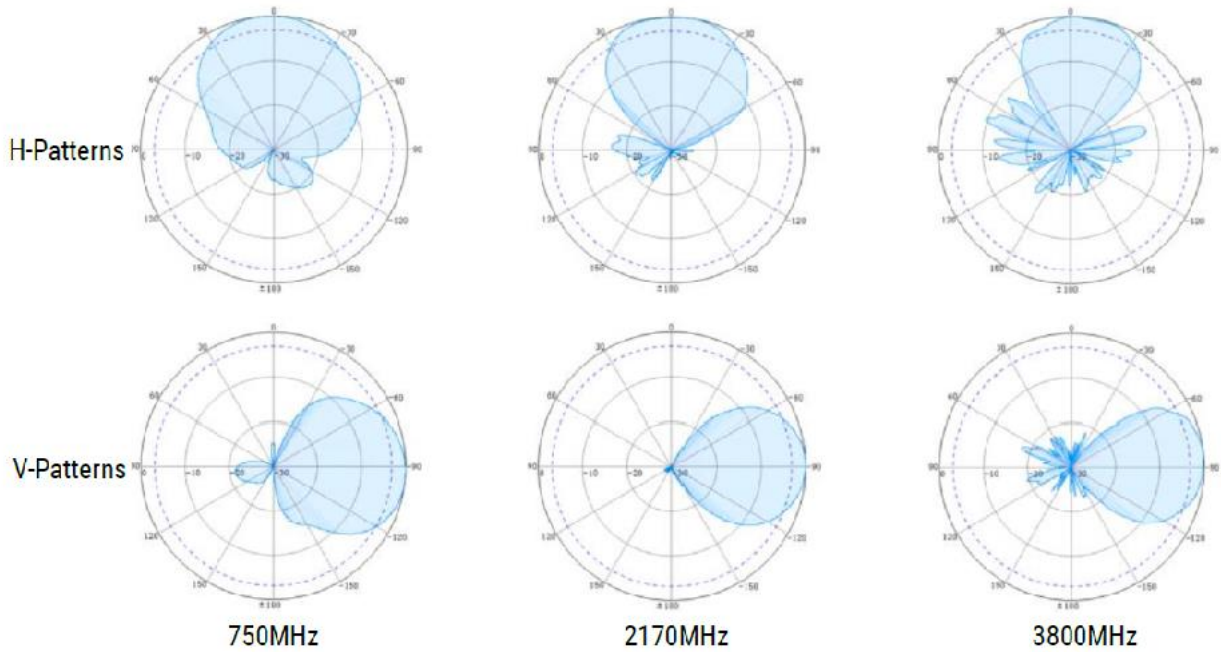
Log Periodic Antenna
H/V-Pol 2-port 11dBi
690-4000

Type	74212012v01				
Frequency Range (MHz)	690-960	960-1695	1695-2170	2170-2690	3300-3800
Gain (dBi, typ.)	9.5	10.5	11.0	11.0	10.5
VSWR	≤ 1.8	≤ 1.6	≤ 1.6	≤ 1.6	≤ 1.6
Polarization	Vertical / Horizontal				
PIM3 (dBc), @2x43dBm	≤ -150				
Horizontal Beamwidth (°)	68	65	61	58	65
Vertical Beamwidth (°)	53	50	48	45	53
Isolation (dB)	≥ 20	≥ 20	≥ 28	≥ 28	≥ 28
Front-to-Back Ratio (dB)	≥ 20	≥ 20	≥ 25	≥ 25	≥ 25
Input Impedance (Ω)	50				
Max. Input Power (W)	200				
Lightning Protection	DC Grounded				
Connector Type	2 x 4.3-10 Female				
Dimension (mm)	300 x 300 x 785				
Weight (kgs)	4.5				
Reflector Material	Copper				
Radome Material	Fiber Glass (RAL7035)				
Rated Wind Velocity (km/h)	200				
Operating Temperature (°C)	-40 to +65				
Wind Load (N) (@150km/h Wind Speed)	Frontal: 58.8 Lateral: 185.2 Rearside: 96.4				
Mounting	4 x M12 Threaded Rods (L=162mm) with Washers and Nuts 2 sets of brackets included for pole size Ø38-Ø70mm All mounting materials and accessories in 316 stainless steel				

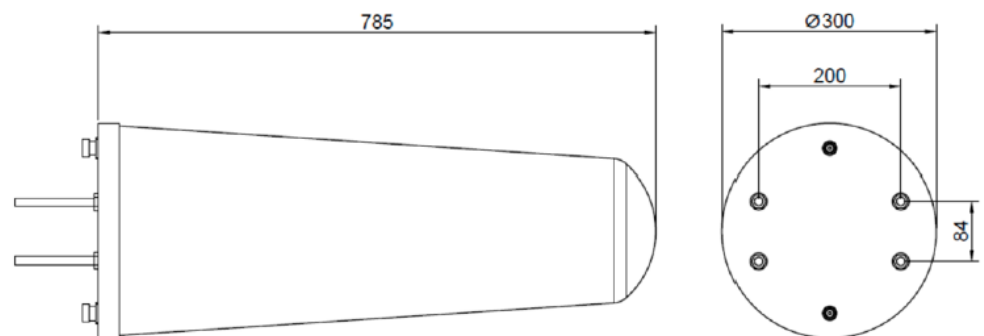


Complaint to Environmental Standards	Dry Heat	GB/T 2423.2	(IEC 60068-2-2)
	Cold	GB/T 2423.1	(IEC 60068-2-1)
	Damp Heat	GB/T 2423.3	(IEC 60068-2-78)
	Change of Temperature	GB/T 2423.22	(IEC 60068-2-14)
	Salt Mist	GB/T 2423.17	(IEC 60068-2-11)
		GB/T 10125	(ISO 9227)
	Ingress Protection	GB/T 4208	(IEC 60529)
	Vibration	GB/T 2423.10	(IEC 60068-2-64)
	Drop Test	GB/T 2423.8 & 4857.5	(ISO 2248)

Typical Radiation Patterns



Mechanical Drawing



Mounting thread rod Illustration

